

PicoYL-1064nm-Seed

YSL Photonics' PicoYL-1064nm-Seed is the latest product of picosecond fiber seed. It has a center wavelength of 1064nm, the spectral width is less than 0.4nm, the pulse energy is more than 1nJ. The seed has a repetition rate of 40MHz or an adjustable range of 25kHz-40MHz, combined with the single-mode fiber output, which is an ideal seed source for solid picosecond lasers.

Key Features:

- Center wavelength : 1064nm
- Spectral width : < 0.4nm
- Repetition rate : 25kHz-40MHz
- Pulse energy : > 1nJ
- Pulse width : < 10ps

Application:

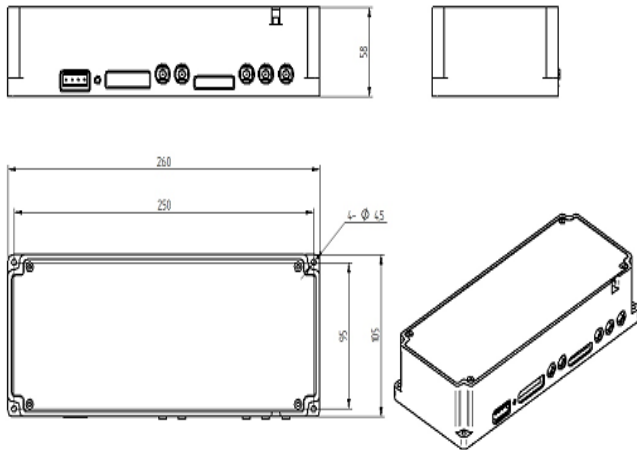
- Solid laser seed source



Specifications :

Model	PicoYL-1064nm-Seed
Power	>40mW
Center Wavelength	1064nm
Spectral width	< 0.4nm
Repetition Rate	40MHz (Fixed) 25kHz-40MHz (-PP Variable)
Pulse energy	> 1nJ
Pulse width	< 10ps
Output	Sing-mode fiber with FC connector (or fiber collimated output)
Size	250*105*58mm (Fixed) 350*105*58mm (-PP Variable)

PicoYL-1064nm-Seed



PicoYL-1064nm-Seed-PP

